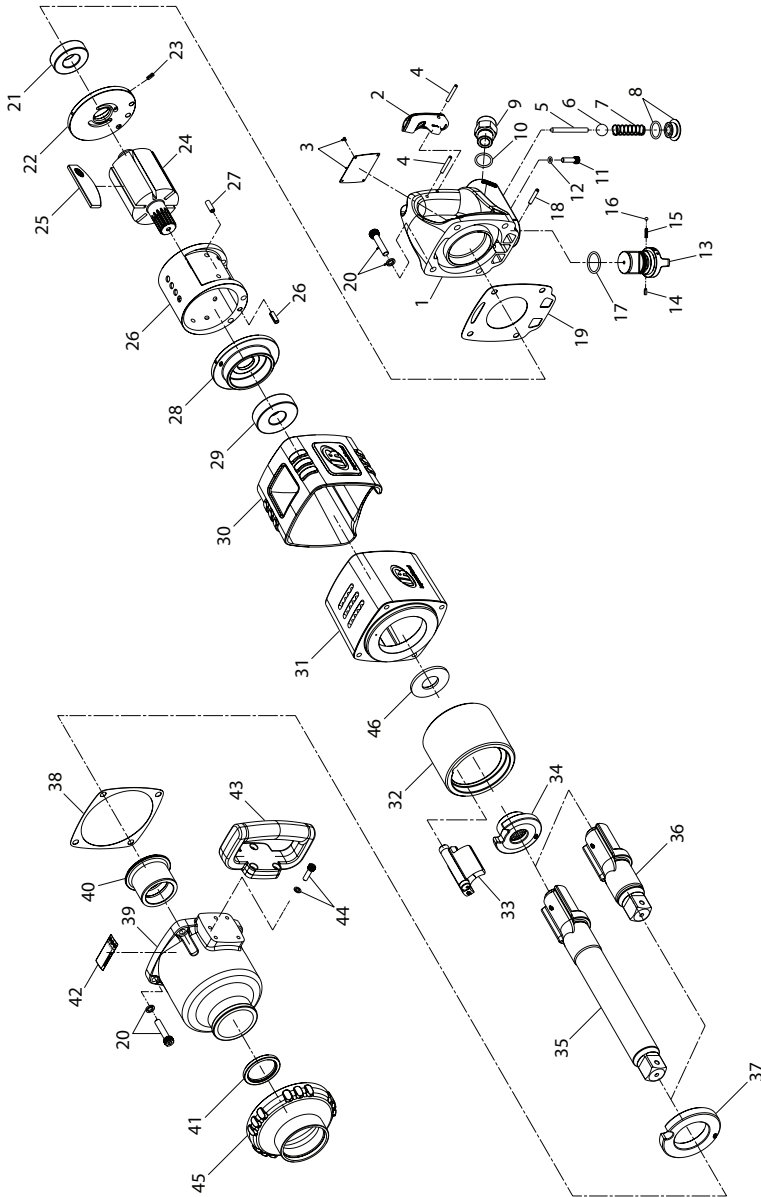


631L and 631S, Air Impact Wrench - Exploded View



(Dwg. 80208903)

## 631L and 631S, Air Impact Wrench - Parts List

Item	Part Description	Part Number	Item	Part Description	Part Number
1	Trigger Handle Assembly	631L-A92A	25	Vane Pack (set of 6)	631L-42A-6
2	Trigger	631L-93	26	Cylinder and Alignment Pins	631L-A3
3	Nameplate and 4 Rivets	631L-A301	27	Pin, Spring (2)	---
4	Trigger Pin (2)	431L-437	28	Front End Plate	631L-11A
5	Plunger, Throttle Valve	631L-302A	29	Front Rotor Bearing	631L-96A
6	Throttle Valve	285B-50	30	Tool guard	631L-32
7	Spring, Throttle Valve	285B-51	31	Motor Housing	631L-40
8	Plug and Seal	431L-A202	32	Hammer Frame	631L-703A
9	Inlet Bushing Assembly	631L-A565	33	Hammer	631L-724
10	O-Ring	285B-566	34	Hammer Cam	631L-721A
11	Cap Screw	285B-49	35	Anvil 8" long (631L)	631L-726-8
12	Oil Port O-Ring	631L-567	36	Anvil, Standard Length (631S)	631S-726
13	Reverse Valve Assembly	631L-A329	37	Hammer Plate	631L-706
14	Stop Pin	285B-332	38	Gasket, Hammer Case	631L-36
15	Spring	285B-334	39	Hammer Case Assembly	631L-A727
16	Ball	285B-333	40	Hammer Case Bushing	631L-641
17	Reverse Valve O-Ring	631L-338	41	Oil Seal	631L-642
18	Pin, Spring	285B-120	42	Warning Label	WARNING-2-99
19	Gasket, Handle	631L-283	43	Dead Handle (straight) with Screws	285B-A48
20	Handle Cap Screw and Washer (set of 8)	285B-A638	44	Screw and Washer (3)	631L-A49
21	Rear Rotor Bearing	631L-24A	45	Hammer Case Cover	631L-62
22	Rear End Plate with Alignment Pin	631L-A12	46	Washer	631L-207
23	Pin, Spring	---		Tune up kit (includes items 5, 6, 7, 10, 11, 12, 14, 15, 16, 17, 18, 19, 21, 25, 29, 38, 41)	631L-TK1A
24	Rotor	631L-53A			

### Parts and Maintenance

When tool life has expired, it is recommended that the tool be disassembled, degreased and parts separated by material for proper recycling.

Tool repair and maintenance should only be carried out by an authorized Service Center.

Refer all communications to the nearest **Ingersoll Rand** office or distributor.

### Related Documentation

Manuals can be downloaded from [ingersollrand.com](http://ingersollrand.com)

For additional information, refer to:

Product Safety Information Manual 04580916.

Product Information Manual 45496114.